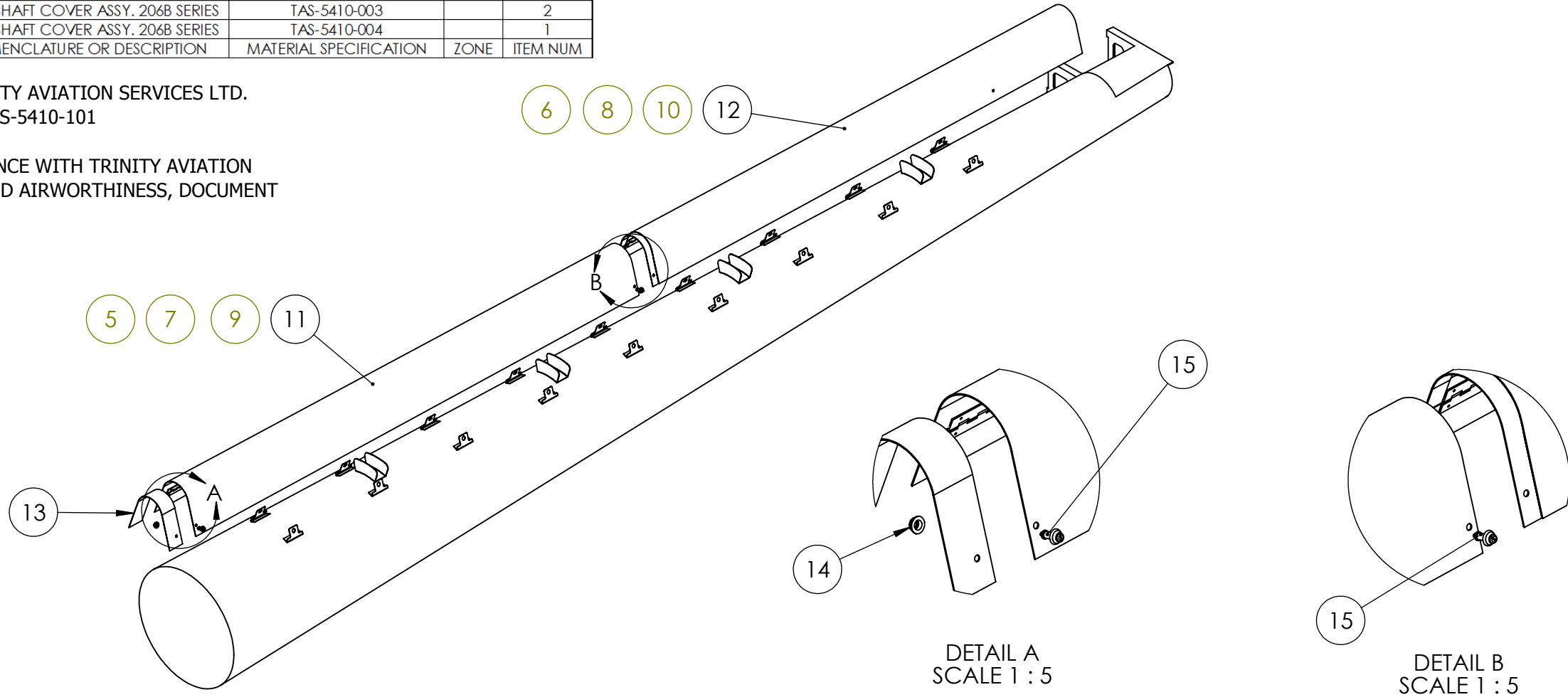


ZONE	ITEM NUM	MATERIAL SPECIFICATION	NOMENCLATURE OR DESCRIPTION	PART NUMBER
4	20	ASTM-A-666	RETAINING, WASHER	2600-SW
7	19	140-001	WASHER, FLAT	140-001-11
A/R	18	AMS-S-8802 TYPE II	SEALANT (OR EQUIMLANT)	CS 3204
A/R	17	MMM-A-132 TYPE I, CLASS 3	PASTE ADHESIVE	EA 934NA
A/R	16	MS20615	RIVET, MONEL	MS20615M4
4	15	MIL-F-5591	CAMLOC STUD	2600-3S
1	14	CLICKBOND	RECEPTACLE KIT	KA4A1-2CB9393V5
1	13	TAS-5410-006	FLANGE, TRANSITION	T05165-000-0006
1	12	TAS-5410-042	SHELL, AFT	T05165-000-0042
1	11	TAS-5410-041	SHELL, FWD	T05165-000-0041
	10	TAS-5410-022	SHELL, AFT	T05165-000-0022
	9	TAS-5410-021	SHELL, FWD	T05165-000-0021
	8	TAS-5410-032	DRIVESHAFT COVER, AFT, SUBASSY	T05165-000-0032
	7	TAS-5410-031	DRIVESHAFT COVER, FWD, SUBASSY	T05165-000-0031
	6	TAS-5410-012	DRIVESHAFT COVER, AFT, SUBASSY	T05165-000-0012
	5	TAS-5410-011	DRIVESHAFT COVER, FWD, SUBASSY	T05165-000-0011
	4	TAS-5410-001	DRIVESHAFT COVER ASSY. 206L SERIES	T05165-000-0001
	3	TAS-5410-002	DRIVESHAFT COVER ASSY. 206L SERIES	T05165-000-0002
	2	TAS-5410-003	DRIVESHAFT COVER ASSY. 206B SERIES	T05165-000-0003
X	1	TAS-5410-004	DRIVESHAFT COVER ASSY. 206B SERIES	T05165-000-0004
-0004	-0003	-0002	-0001	PART NUMBER

REVISIONS				
ZONE	REV	DESCRIPTION	DATE	APPROVED
ALL	A	ADD ADDITIONAL VIEWS OF CAMLOC INSTALLATION, PART NUMBER CHANGE AND ADDITION	AUG 15 2006	CE
ALL	B	CHANGE HCI-206-408 TO HC206-408-00, SHT NUMBER CHANGE (1,2,3) ADD REV A TO SHT 1, CORRECT DWG NAME, DATE CHANGED TO 15 AUG/06	DEC 31 2006	CE
ALL	C	ADD ADDITIONAL ASSEMBLIES, SUB ASSEMBLIES, AND PARTS	NOV 1 2007	CE
ALL	D	REMOVED INSTALLATION NOTES. REMOVED 206A MODEL ASSEMBLIES. REVISED ALL ITEM AND PART NUMBERS. ADDED CONFIDENTIALITY STATEMENT. CHANGED DRAWING FORMAT. REVISED APPLICABILITY TABLE.	19 MAR 2015	JW

1. INSTALL COVERS IN ACCORDANCE WITH TRINITY AVIATION SERVICES LTD. INSTALLATION INSTRUCTIONS, DOCUMENT TAS-5410-101

2. MAINTAIN COVER INSTALLATION IN ACCORDANCE WITH TRINITY AVIATION SERVICES LTD. INSTRUCTIONS FOR CONTINUED AIRWORTHINESS, DOCUMENT TAS-5410-102



APPLICABILITY		
S/N 1252-SUBS	206B SERIES	T05165-000-0004
S/N 1252-SUBS	206B SERIES	T05165-000-0003
S/N 45004-SUBS	206L SERIES	T05165-000-0002
S/N 45004-SUBS	206L SERIES	T05165-000-0001

REVISION STATUS OF SHEETS	
1	SHT NO.
D	REV LTR
	SHT NO.
	REV LTR

**PROPRIETARY AND CONFIDENTIAL**

THIS DOCUMENT IS THE PROPERTY OF TRINITY AVIATION SERVICES LIMITED AND IS DELIVERED ON THE EXPRESS CONDITION THAT IT AND THE INFORMATION CONTAINED IN IT ARE NOT TO BE USED, DISCLOSED, OR REPRODUCED, IN WHOLE OR IN PART, FOR ANY PURPOSE WITHOUT THE EXPRESS WRITTEN CONSENT OF TRINITY AVIATION SERVICES LIMITED; AND THAT NO RIGHT IS GRANTED TO DISCLOSE OR SO USE ANY INFORMATION CONTAINED IN SAID DOCUMENT. THESE RESTRICTIONS DO NOT LIMIT THE RIGHT TO USE INFORMATION OBTAINED FROM ANOTHER SOURCE

UNLESS OTHERWISE SPECIFIED:

1. DO NOT SCALE DRAWING  
 2. DIMENSIONS ARE IN INCHES  
 3. INTERPRET PER MIL-STD-100/DIM & TOL PER ANSI Y 14.5M1982  
 4. DEBURR AND BREAK SHARP EDGES  
 5. DIMENSIONS APPLY BEFORE FINISHES  
 6. PARENTICAL DATA IS FOR REF ONLY

**TOLERANCES**

DECIMAL DIM:  
 .XXX ± .010  
 .XX ± .030  
 .X ± .100

ANGULAR DIM:  
 MACHINED: ± 0° 30'  
 LOCATING: ± 0° 30'  
 FORMED: ± 0° 30'  
 CHAMFERS: ± 1°

NAME	DATE
DRAWN: RAEKIN DESIGN CORP.	11 MAR 2015
CHECKED: J WILFONG	19 MAR 2015
APPROVAL: J WILFONG	24 SEP 2015

THIRD ANGLE PROJECTION

**TRINITY**  
AVIATION SERVICES

**TITLE:**  
DRIVESHAFT COVER  
INSTALLATION

**SIZE** **B** DWG. NO. T05165-000-100 REV D

NTS SHEET 1 OF 1